

# Classical V-Belt/ Red label V-Belt

This type is most commonly used as a means for power transmission. Therefore, it is economic and available in the market. Also, it is easily replaced.

- Our "SET FREE<sup>®</sup>" system for multiple belt usage is very effective to reduce dimensional differences of each belt.
- Red label V-Belt is a heavy-duty power transmission belt, which has heat, oil and flex resistance as well as a high antistatic property

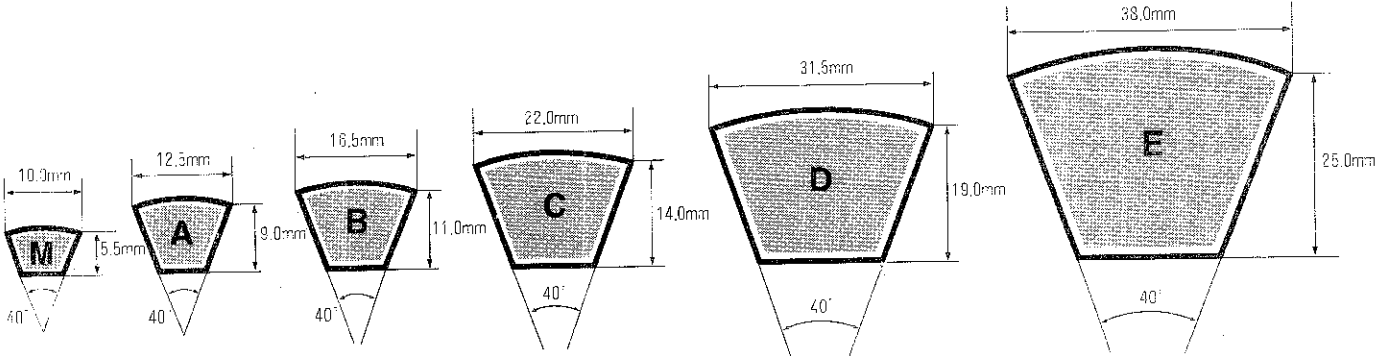
Product Code

A-50

Belt Type ———— Belt Code (inch)

- Belt code indicates effective pitch length of the belt in inches. (For M type, length is outer circumference)

## Cross-Sectional Dimensions



(Note) Above dimensions are nominal values.

## Standard Belt Sizes

M Type (No.)	A Type (No.)		B Type (No.)			C Type (No.)		D Type (No.)	E Type (No.)		
★ 20	★ 20	★ 60	★ 100	25	★ 65	★ 112	40	★ 86	★ 190	★ 100	180
★ 21	★ 21	★ 61	★ 102	26	★ 66	★ 115	42	★ 87	★ 200	★ 105	210
★ 22	★ 22	★ 62	★ 105	27	★ 67	★ 118	★ 45	★ 88	★ 210	★ 110	240
★ 23	★ 23	★ 63	★ 108	28	★ 68	★ 120	★ 48	★ 89	★ 220	★ 115	270
★ 24	★ 24	★ 64	★ 110	29	★ 69	★ 122	★ 50	★ 90	★ 230	★ 120	300
★ 25	★ 25	★ 65	★ 112	★ 30	★ 70	★ 125	★ 51	★ 91	★ 240	★ 125	330
★ 26	★ 26	★ 66	★ 115	★ 31	★ 71	★ 128	★ 52	★ 92	★ 250	★ 130	360
★ 27	★ 27	★ 67	★ 118	★ 32	★ 72	★ 130	★ 53	★ 93	★ 260	★ 135	390
★ 28	★ 28	★ 68	★ 120	★ 33	★ 73	★ 132	★ 54	★ 94	★ 270	★ 140	420
★ 29	★ 29	★ 69	★ 122	★ 34	★ 74	★ 135	★ 55	★ 95		★ 145	
								★ 96			
★ 30	30	★ 70	★ 125	★ 35	★ 75	★ 138	56			★ 150	
★ 31	★ 31	★ 71	★ 128	★ 36	★ 76	★ 140	57	★ 97		★ 155	
★ 32	32	★ 72	★ 130	★ 37	★ 77	★ 145	★ 58	★ 98		★ 160	
★ 33	★ 33	★ 73	★ 135	★ 38	★ 78	★ 150	★ 59	★ 99		★ 165	
★ 34	★ 34	★ 74	★ 140	★ 39	★ 79	★ 155	★ 60	★ 100		★ 170	
★ 35	35	★ 75	★ 145	★ 40	★ 80	★ 160	★ 61	★ 102		★ 180	
★ 36	★ 36	★ 76	★ 150	★ 41	★ 81	★ 165	★ 62	★ 105		★ 190	
★ 37	★ 37	★ 77	★ 155	★ 42	★ 82	★ 170	★ 63	★ 108		★ 200	
★ 38	★ 38	★ 78	★ 160	★ 43	★ 83	★ 180	★ 64	★ 110		★ 210	
★ 39	39	★ 79	★ 165	★ 44	★ 84	★ 190	★ 65	★ 112		★ 220	
							★ 66	★ 115			
★ 40	★ 40	★ 80	★ 170	★ 45	★ 85	★ 200				★ 230	
★ 41	★ 41	★ 81	★ 180	★ 46	★ 86	★ 210	★ 67	★ 118		★ 240	
★ 42	★ 42	★ 82		★ 47	★ 87		★ 68	★ 120		★ 250	
★ 43	★ 43	★ 83		★ 48	★ 88		★ 69	★ 122		★ 260	
★ 44	★ 44	★ 84		★ 49	★ 89		★ 70	★ 125		★ 270	
★ 45	★ 45	★ 85		★ 50	★ 90		★ 71	★ 128		★ 280	
★ 46	★ 46	★ 86		★ 51	★ 91		★ 72	★ 130		★ 300	
★ 47	★ 47	★ 87		★ 52	★ 92		★ 73	★ 132		★ 310	
★ 48	★ 48	★ 88		★ 53	★ 93		★ 74	★ 135		★ 330	
★ 49	★ 49	★ 89		★ 54	★ 94		★ 75	★ 138		★ 360	
							★ 76	★ 140			
★ 50	★ 50	★ 90		★ 55	★ 95		★ 77	★ 142			
	★ 51	★ 91		★ 56	★ 96		★ 78	★ 145			
	★ 52	★ 92		★ 57	★ 97		★ 79	★ 148			
	★ 53	★ 93		★ 58	★ 98		★ 80	★ 150			
	★ 54	★ 94		★ 59	★ 99		★ 81	★ 155			
	★ 55	★ 95		★ 60	★ 100		★ 82	★ 160			
	★ 56	★ 96		★ 61	★ 102		★ 83	★ 165			
( * 10 )	★ 57	★ 97	( * 11 )	★ 62	★ 105	( * 13 )	★ 84	★ 170	( * 24 )	( * 80 )	( * 96 )
( * 120 )	★ 58	★ 98	( * 11 )	★ 63	★ 106	( * 13 )	★ 85	★ 180	( * 24 )	( * 85 )	( * 96 )
	★ 59	★ 99	( * 370 )	★ 64	★ 110	( * 660 )			( * 660 )	( * 90 )	( * 660 )

★ : signifies standard size equivalent to JIS (K6323) standards  
 \* : Manufacturable sizes

# Classical V-Belts for DIN 2215/ISO 4184 (Wrapped Type / Raw Edge Cogged Type)

Widely-used power transmission belt.  
Cost efficient, readily available, easily changeable

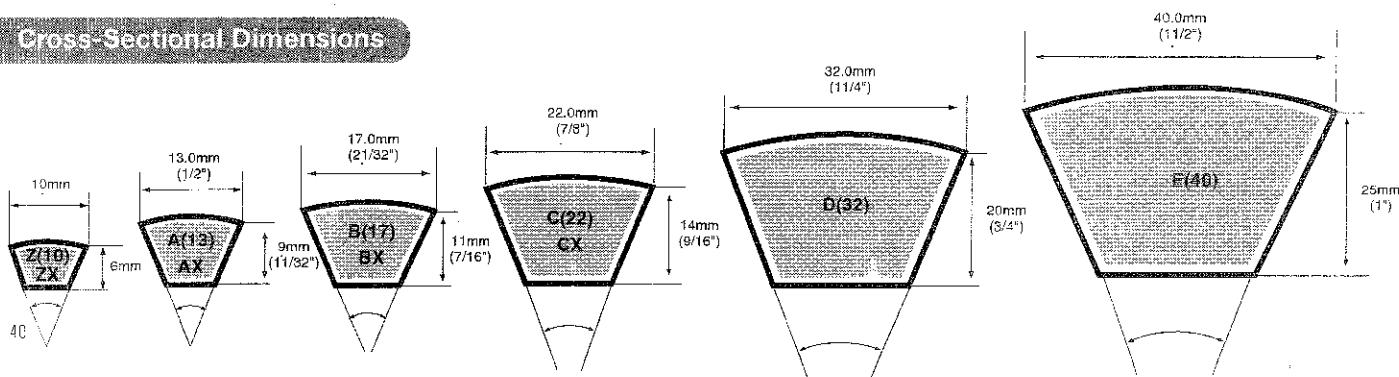
Product Code

A EXTR 40

Belt Type \_\_\_\_\_ Belt Code (inch)

● Belt code is nominal length in inch

## Cross-Sectional Dimensions



## Standard Belt Sizes

Z(10), ZX					
Belt Code	Inside Length Li (mm)	Datum Length Ld (mm)	Belt Code	Inside Length Li (mm)	Datum Length Ld (mm)
20	515	537	38.5	975	997
20.5	525	547	39	990	1012
21	530	552	39.5	1000	1022
21.5	550	572	40	1016	1038
22	560	582	40.5	1030	1052
22.5	575	597	41	1041	1063
23	585	607	41.5	1050	1072
23.5	600	622	42	1060	1082
24	610	632	42.25	1075	1097
24.5	620	642	42.5	1080	1102
25	630	652	43	1090	1112
25.5	650	672	43.5	1105	1127
26	660	682	44	1120	1142
26.5	670	692	45	1140	1162
27	685	707	45.5	1150	1172
27.5	700	722	46	1165	1187
28	710	732	47	1194	1216
28.5	725	747	47.5	1215	1237
29	730	752	48	1225	1247
29.5	750	772	49	1250	1272
30	765	787	50	1270	1292
30.5	775	797	51	1295	1317
31	790	812	51.5	1310	1332
31.5	800	822	52	1320	1342
32	820	842	52.5	1330	1352
32.5	825	847	53	1346	1368
33	840	862	54	1371	1393
33.5	850	872	55	1400	1422
34	865	887	56	1422	1444
34.5	875	897	57	1450	1472
35	890	912	58	1475	1497
35.5	900	922	59	1500	1522
36	915	937	60	1525	1547
36.5	925	947			
37	940	962			
37.5	950	972			
38	965	987			

Size range : 18.5" - 93"

All dimensions are nominal values.

: Available sizes for raw edge cogged belt ZX

A(13), AX

Belt Code	Inside Length Li(mm)	Datum Length Ld(mm)	Belt Code	Inside Length Li(mm)	Datum Length Ld(mm)	Belt Code	Inside Length Li(mm)	Datum Length Ld(mm)	Belt Code	Inside Length Li(mm)	Datum Length Ld(mm)
20	508	538	57	1450	1480	94	2388	2418	165	4200	4230
21	535	565	58	1475	1505	95	2413	2443	167	4250	4280
22	560	590	59	1500	1530	96	2438	2468	170	4318	4348
23	585	615	60	1525	1555	97	2464	2494	173	4394	4424
24	610	640	61	1550	1580	98	2500	2530	176	4470	4500
25	630	660	62	1575	1605	99	2515	2545	180	4572	4602
26	660	690	63	1600	1630	100	2540	2570	185	4700	4730
27	686	716	64	1625	1655	101	2565	2595	187	4750	4780
28	710	740	65	1650	1680	102	2591	2621	190	4825	4855
29	730	760	66	1676	1706	103	2616	2646	195	4950	4980
30	767	797	67	1700	1730	104	2650	2680	197	5000	5030
31	787	817	68	1725	1755	105	2667	2697	200	5080	5110
32	813	843	69	1750	1780	106	2692	2722			
33	838	868	70	1775	1805	107	2725	2755			
34	864	894	71	1800	1830	108	2743	2773			
35	889	919	72	1825	1855	109	2789	2799			
36	914	944	73	1854	1884	110	2800	2830			
37	940	970	74	1880	1910	112	2845	2875			
38	965	995	75	1900	1930	115	2921	2951			
39	990	1020	76	1930	1960	116	2946	2976			
40	1016	1046	77	1956	1986	118	3000	3030			
41	1041	1071	78	1980	2010	120	3048	3078			
42	1060	1090	79	2000	2030	122	3100	3130			
43	1100	1130	80	2032	2062	124	3150	3180			
44	1120	1150	81	2060	2090	125	3175	3205			
45	1143	1173	82	2083	2113	128	3250	3280			
46	1168	1198	83	2110	2140	130	3300	3330			
47	1200	1230	84	2134	2164	134	3400	3430			
48	1220	1250	85	2160	2190	135	3425	3455			
49	1250	1280	86	2180	2210	136	3454	3484			
50	1270	1300	87	2210	2240	140	3550	3580			
51	1300	1330	88	2240	2270	144	3658	3688			
52	1320	1350	89	2260	2290	150	3810	3840			
53	1350	1380	90	2286	2316	150	3810	3840			
54	1375	1405	91	2310	2340	158	4000	4030			
55	1400	1430	92	2337	2367	160	4064	4094			
56	1422	1452	93	2360	2390	162	4115	4145			

Size range : 20" - 360"

All dimensions are nominal values.

: Available sizes for raw edge cogged belt AX

B(17), BX

Belt Code	Inside Length Li(mm)	Datum Length Ld(mm)	Belt Code	Inside Length Li(mm)	Datum Length Ld(mm)	Belt Code	Inside Length Li(mm)	Datum Length Ld(mm)	Belt Code	Inside Length Li(mm)	Datum Length Ld(mm)	Belt Code	Inside Length Li(mm)	Datum Length Ld(mm)
20	510	553	55	1400	1443	92	2337	2380	169	3500	3543	225	5700	5743
21	535	578	56	1425	1468	93	2360	2403	140	3550	3593	228	5800	5843
22	560	603	57	1450	1493	94	2388	2431	142	3600	3643	230	5850	5893
23	585	628	58	1475	1518	95	2413	2456	144	3658	3701	232	5893	5936
24	615	658	59	1500	1543	96	2438	2481	145	3675	3718	236	6000	6043
25	630	673	60	1525	1568	97	2465	2508	146	3700	3743	238	6045	6088
26	660	703	61	1550	1593	98	2500	2543	148	3750	3793	240	6096	6139
27	686	729	62	1575	1618	99	2515	2558	150	3810	3853	245	6225	6268
28	710	753	63	1600	1643	100	2540	2583	152	3861	3904	248	6300	6343
29	735	778	64	1625	1668	101	2565	2608	154	3912	3955	250	6350	6393
30	762	805	65	1650	1693	102	2600	2643	155	3937	3980	255	6475	6518
31	785	828	66	1675	1718	103	2616	2659	156	3950	3993	260	6600	6643
32	813	856	67	1700	1743	104	2650	2693	158	4000	4043	264	6700	6743
33	838	881	68	1725	1768	105	2667	2710	160	4065	4108	268	6800	6843
34	865	908	69	1750	1793	106	2700	2743	162	4115	4158	270	6850	6893
35	889	932	70	1775	1818	107	2718	2761	164	4165	4208	276	7000	7043
36	915	958	71	1800	1843	108	2750	2793	165	4200	4243	280	7100	7143
37	940	983	72	1825	1868	110	2800	2843	168	4215	4258	290	7360	7403
38	965	1008	73	1850	1893	112	2845	2888	169	4300	4343	300	7620	7663
39	991	1034	74	1880	1923	113	2870	2913	170	4318	4361	310	7875	7918
40	1016	1059	75	1900	1943	114	2900	2943	173	4394	4437	320	8125	8168
41	1040	1083	76	1930	1973	115	2921	2964	175	4450	4493	330	8375	8418
42	1060	1103	77	1950	1993	116	2950	2993	177	4500	4543	340	8640	8683
43	1090	1133	78	1981	2024	117	2972	3015	180	4572	4615	350	8900	8943
44	1120	1163	79	2000	2043	118	3000	3043	185	4700	4743	360	9150	9193
45	1150	1193	80	2032	2075	120	3048	3091	188	4775	4818	370	9400	9443
46	1175	1218	81	2060	2103	122	3099	3142	190	4826	4869	380	9650	9693
47	1200	1243	82	2083	2126	124	3150	3193	192	4875	4918	390	9900	9943
48	1215	1258	83	2100	2143	125	3175	3218	195	4953	4996	400	10160	10203
49	1250	1293	84	2134	2177	126	3200	3243	197	5000	5043			
50	1275	1318	85	2160	2203	128	3250	3293	200	5080	5123			
51	1300	1343	86	2200	2243	130	3300	3343	204	5182	5225			
52	1320	1363	87	2210	2253	132	3350	3393	205	5200	5243			
53	1350	1393	88	2240	2283	133	3375	3418	210	5334	5377			
54	1372	1415	89	2260	2303	134	3400	3443	215	5450	5493			
			90	2286	2329	135	3425	3468	218	5540	5583			
			91	2300	2343	136	3450	3493	220	5600	5643			

Size range : 20" - 660"

C(22), CX

Belt Code	Inside Length Li(mm)	Datum Length Ld(mm)	Belt Code	Inside Length Li(mm)	Datum Length Ld(mm)	Belt Code	Inside Length Li(mm)	Datum Length Ld(mm)	Belt Code	Inside Length Li(mm)	Datum Length Ld(mm)	Belt Code	Inside Length Li(mm)	Datum Length Ld(mm)
30	762	814	67	1700	1752	104	2642	2694	162	4115	4167	270	6858	6910
31	787	839	68	1725	1777	105	2667	2719	164	4166	4218	275	6985	7037
32	813	865	69	1750	1802	106	2692	2744	168	4287	4319	280	7100	7152
33	838	890	70	1775	1827	107	2718	2770	170	4318	4370	290	7366	7418
34	864	916	71	1800	1852	108	2750	2802	173	4390	4442	300	7600	7652
35	889	941	72	1829	1881	110	2800	2852	175	4445	4497	320	8130	8182
36	914	966	73	1854	1906	111	2819	2871	177	4500	4552	330	8380	8432
37	940	992	74	1880	1932	112	2845	2897	180	4572	4624	340	8636	8688
38	950	1002	75	1900	1952	113	2870	2922	183	4648	4700	350	8900	8952
39	975	1027	76	1930	1982	114	2896	2948	185	4700	4752	360	9144	9196
40	1000	1052	77	1956	2008	115	2921	2973	187	4750	4802	370	9400	9452
41	1030	1082	78	1981	2033	116	2950	3002	190	4825	4877	380	9650	9702
42	1075	1127	79	2000	2052	118	3000	3052	195	4950	5002	400	10180	10212
43	1090	1142	80	2032	2084	120	3050	3102	197	5000	5052	415	10540	10592
44	1120	1172	81	2060	2112	122	3100	3152	200	5080	5132	434	11000	11052
45	1150	1202	82	2083	2135	123	3125	3177	202	5131	5183	473	12000	12052
46	1175	1227	83	2108	2160	124	3150	3202	204	5182	5234	492	12500	12552
47	1200	1252	84	2135	2187	125	3175	3227	205	5207	5259	512	13000	13052
48	1220	1272	85	2159	2211	126	3200	3252	210	5334	5386	550	14000	14052
49	1250	1302	86	2184	2236	128	3250	3302	215	5461	5513	590	15000	15052
50	1270	1322	87	2210	2262	129	3270	3322	220	5600	5652			
51	1295	1347	88	2240	2292	130	3300	3352	222	5639	5691			
52	1320	1372	89	2261	2313	132	3350	3402	224	5690	5742			
53	1350	1402	90	2286	2338	134	3400	3452	225	5715	5767			
54	1375	1427	91	2311	2363	136	3450	3502	228	5791	5843			
55	1400	1452	92	2337	2389	138	3500	3552	230	5842	5894			
56	1425	1477	93	2360	2412	140	3550	3602	235	5970	6022			
57	1450	1502	94	2388	2440	142	3600	3652	238	6045	6097			
58	1475	1527	95	2413	2465	144	3658	3710	240	6096	6148			
59	1500	1552	96	2438	2490	146	3700	3752	246	6250	6302			
60	1525	1577	97	2465	2517	148	3750	3802	248	6300	6352			
61	1550	1602	98	2500	2552	150	3810	3862	250	6350	6402			
62	1575	1627	99	2525	2577	152	3861	3913	256	6500	6552			
63	1600	1652	100	2540	2592	154	3912	3964	258	6553	6605			
64	1625	1677	101	2560	2612	155	3937	3989	260	6600	6652			
65	1650	1702	102	2591	2643	158	4000	4052	264	6700	6752			
66	1675	1727	103	2616	2668	160	4064	4116	268	6800	6852			

Size range : 30" - 660"

All dimensions are nominal values.

: Available sizes for raw edge cogged belt CX

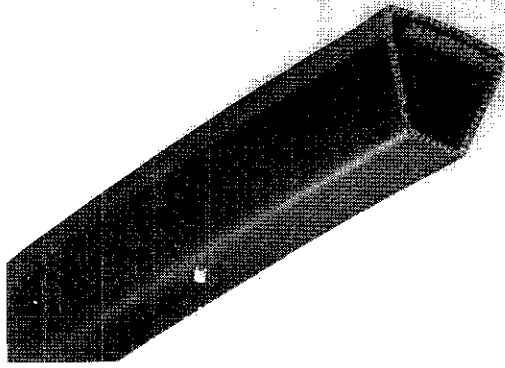
D(32)								
Belt Code	Inside Length Li(mm)	Datum Length Ld(mm)	Belt Code	Inside Length Li(mm)	Datum Length Ld(mm)	Belt Code	Inside Length Li(mm)	Datum Length Ld(mm)
100	2540	2615	168	4267	4342	265	6725	6800
103	2616	2691	170	4320	4395	268	6800	6875
104	2650	2725	172	4370	4445	270	6850	6925
105	2675	2750	173	4390	4465	275	6985	7060
108	2750	2825	174	4420	4495	280	7100	7175
110	2800	2875	175	4450	4525	285	7250	7325
112	2850	2925	176	4470	4545	290	7375	7450
115	2925	3000	178	4525	4600	295	7500	7575
118	3000	3075	180	4570	4645	300	7620	7695
120	3048	3123	182	4620	4695	310	7875	7950
122	3100	3175	184	4675	4750	330	8380	8455
124	3150	3225	185	4700	4775	350	8900	8975
126	3200	3275	186	4725	4800	370	9400	9475
128	3250	3325	188	4775	4850	390	9900	9975
130	3300	3375	190	4825	4900	400	10160	10235
132	3350	3425	192	4875	4950	420	10670	10745
134	3400	3475	194	4925	5000	420	10670	10745
135	3425	3500	195	4950	5025	450	11430	11505
136	3450	3525	198	5025	5100	470	11950	12025
138	3500	3575	200	5080	5155	500	12700	12775
140	3550	3625	205	5200	5275	540	13720	13795
142	3600	3675	210	5330	5405	550	14000	14075
144	3658	3733	215	5450	5525	600	15240	15315
146	3700	3775	217	5500	5575	630	16000	16075
148	3750	3825	220	5600	5675	660	16780	16855
150	3810	3885	225	5715	5790			
152	3860	3935	228	5790	5865			
154	3900	3975	230	5850	5925			
155	3925	4000	235	5970	6045			
156	3950	4025	236	6000	6075			
158	4000	4075	238	6045	6120			
160	4060	4135	240	6096	6171			
162	4115	4190	245	6225	6300			
164	4165	4240	248	6300	6375			
165	4200	4275	250	6350	6425			
166	4225	4300	255	6475	6550			
167	4250	4325	260	6600	6675			

All dimensions are nominal values.

E(40)					
Belt Code	Inside Length Li(mm)	Datum Length Ld(mm)	Belt Code	Inside Length Li(mm)	Datum Length Ld(mm)
144	3650	3732	365	9275	9357
180	4575	4657	370	9400	9482
185	4700	4782	375	9525	9607
190	4825	4907	380	9650	9732
195	4950	5032	385	9775	9857
200	5080	5162	390	9900	9982
205	5200	5282	395	10025	10107
210	5300	5382	400	10160	10242
220	5600	5682	405	10300	10382
225	5715	5797	410	10400	10482
230	5850	5932	415	10550	10632
235	5970	6052	420	10670	10752
240	6100	6182	425	10800	10882
245	6225	6307	430	10925	11007
250	6350	6432	435	11050	11132
255	6475	6557	440	11200	11282
260	6600	6682	445	11300	11382
265	6730	6812	450	11430	11512
270	6850	6932	455	11550	11632
275	6985	7067	460	11700	11782
280	7100	7182	465	11800	11882
285	7250	7332	470	11950	12032
290	7375	7457	475	12050	12132
295	7500	7582	480	12190	12272
300	7620	7702	485	12325	12407
305	7750	7832	490	12500	12582
310	7875	7957	495	12575	12657
315	8000	8082	500	12700	12782
320	8125	8207	540	13720	13802
325	8250	8332	600	15240	15322
330	8380	8462	660	16760	16842
335	8500	8532			
340	8650	8732			
345	8750	8832			
350	8900	8982			
355	9000	9082			
360	9150	9232			

All dimensions are nominal values.

# MAXSTAR WEDGE V-Belt



With its unique narrow width, this V-Belt has high power transmission capability.

- Energy-saving and compact design application
- Possible to operate with maximum speed of 40m/sec
- Excellent heat resistance and antistatic property
- Our "set-free" system for multiple belt usage is very effective to reduce dimensional differences of each belt.
- We standardize easy-to-install bussing types as our wedge pulley.

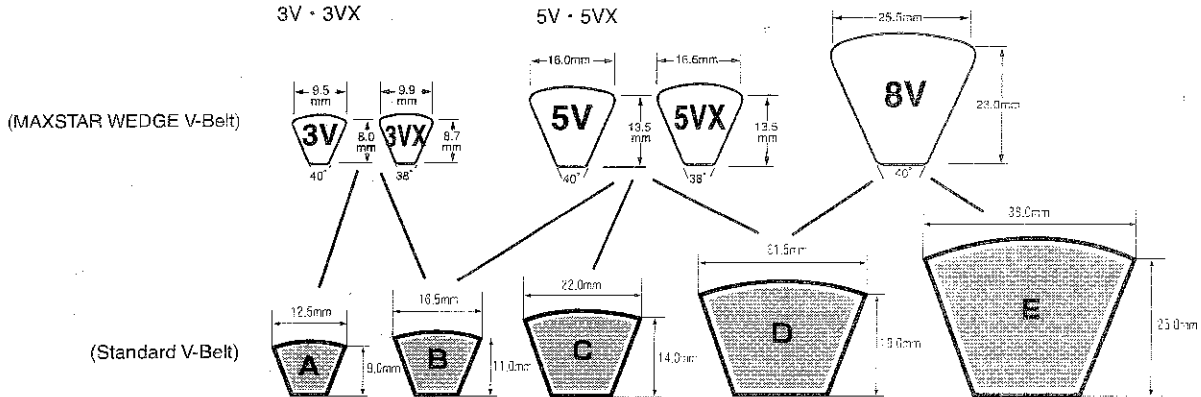
## Product Code

**5V-2000**

Belt Type

Belt Code = Effective Belt Length (inch) x10

## Comparison with Standard V-Belt

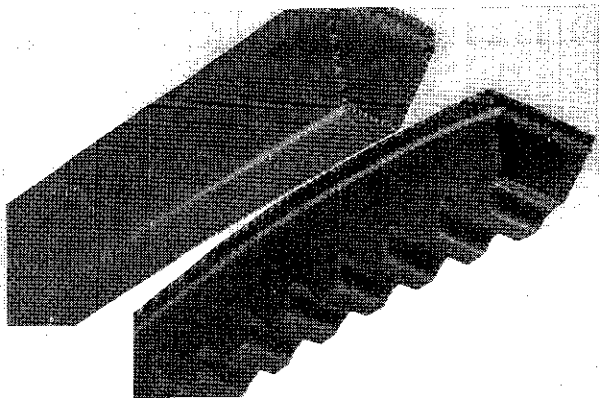


## Standard Belt Sizes

3V · 3VX			5V · 5VX			8V		
Product Code	Effective Belt Length (mm)	Belt Pitch Length (mm)	Product Code	Effective Belt Length (mm)	Belt Pitch Length (mm)	Product Code	Effective Belt Length (mm)	Belt Pitch Length (mm)
3V 635	635	631	5V 1270	1270	1262	8V 2540	2540	2524
3V 673	673	669	5V 1346	1346	1338	8V 2892	2892	2876
3V 711	711	707	5V 1422	1422	1414	8V 3244	3244	3228
3V 758	762	758	5V 1524	1524	1516	8V 3596	3596	3580
3V 800	800	796	5V 1600	1600	1592	8V 3948	3948	3932
3V 847	851	847	5V 1676	1702	1694	8V 4300	4300	4284
3V 890	902	898	5V 1752	1803	1795	8V 4652	4652	4636
3V 937	953	949	5V 1828	1905	1897	8V 5004	5004	4988
3V 980	1016	1012	5V 1904	2032	2024	8V 5356	5356	5340
3V 1027	1080	1076	5V 1980	2159	2151	8V 5708	5708	5692
3V 1139	1143	1139	5V 2286	2286	2278	8V 6060	6060	6044
3V 1207	1207	1203	5V 2413	2413	2405	8V 6412	6412	6396
3V 1270	1270	1266	5V 2540	2540	2532	8V 6764	6764	6748
3V 1346	1346	1342	5V 2667	2667	2659	8V 7116	7116	7100
3V 1422	1422	1418	5V 2845	2845	2837	8V 7468	7468	7452
3V 1524	1524	1520	5V 2997	2997	2989	8V 7820	7820	7804
3V 1600	1600	1596	5V 3175	3175	3167	8V 8172	8172	8156
3V 1698	1702	1698	5V 3328	3353	3345	8V 8524	8524	8508
3V 1790	1803	1799	5V 3480	3556	3548	8V 8876	8876	8860
3V 1905	1905	1901	5V 3632	3810	3802	8V 9228	9228	9212
3V 2028	2032	2028	5V 3800	4064	4056	8V 9580	9580	9564
3V 2159	2159	2155	5V 3952	4318	4310	8V 9932	9932	9916
3V 2286	2286	2282	5V 4104	4572	4564	8V 10284	10284	10268
3V 2413	2413	2409	5V 4256	4826	4818	8V 10636	10636	10620
3V 2540	2540	2536	5V 4408	5080	5072	8V 10988	10988	10972
3V 2688	2688	2688	5V 4560	5385	5377	8V 11340	11340	11324
3V 2841	2841	2841	5V 4712	5690	5682	8V 11692	11692	11676
3V 2993	2993	2993	5V 4864	5994	5986	8V 12044	12044	12028
3V 3171	3171	3171	5V 5016	6350	6342	8V 12396	12396	12380
3V 3349	3349	3349	5V 5168	6731	6723	8V 12748	12748	12732
3V 3552	3552	3552	5V 5320	7112	7104	8V 13100	13100	13084
3V 3755	3755	3755	5V 5472	7620	7612	8V 13452	13452	13436
3V 3958	3958	3958	5V 5624	8001	7993	8V 13804	13804	13788
3V 4161	4161	4161	5V 5776	8509	8501	8V 14156	14156	14140
3V 4364	4364	4364	5V 5928	9017	9009	8V 14508	14508	14492

⊕ s signifies availability of Multi type MAXSTAR WEDGE Belt. Standard number of ribs is 2, 3, 4, 5 for all types (3V, 5V, 8V). We manufacture only standard sizes.

□ Corresponding sizes for Raw Edge cogged Type "MAXSTAR WEDGE SUPREME" 3VX and 5VX. Those are nonstocked items.



# MAXSTAR WEDGE V-Belt for RMA/MPA

Unique narrow V belt with high power transmission capability  
 Suitable for energy-saving / compact design and can be used for high-speed operation up to 40m /second

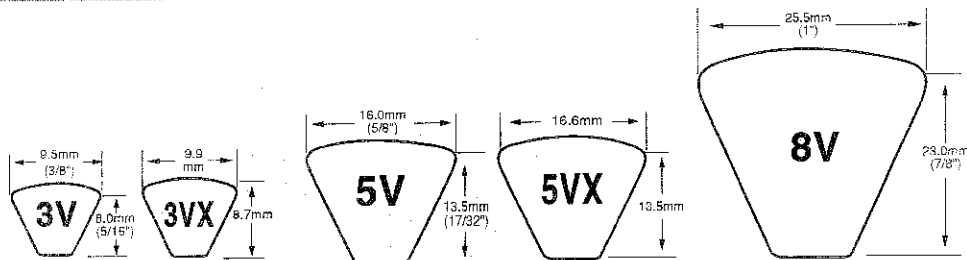
Product Code

5V-2500

Belt Type

Belt Code = Effective Belt Length (inch) x10

## Cross-Sectional Dimensions



## Standard Belt Sizes

3V - 3VX				5V - 5VX				8V		
Belt Code	Effective Outside Length La (mm)	3V	3VX	Belt Code	Effective Outside Length La (mm)	5V	5VX	Belt Code	Effective Outside Length La (mm)	8V
250	625	○	○	500	1270	○	○	1000	2540	○
265	673	○	○	530	1346	○	○	1060	2692	○
280	711	○	○	560	1422	○	○	1120	2845	○
300	762	○	○	600	1524	○	○	1180	2997	○
315	800	○	○	630	1600	○	○	1250	3175	○
335	851	○	○	670	1702	○	○	1320	3353	○
355	902	○	○	710	1803	○	○	1400	3556	○
375	953	○	○	750	1905	○	○	1500	3810	○
400	1016	○	○	800	2032	○	○	1600	4064	○
425	1080	○	○	850	2159	○	○	1700	4318	○
450	1143	○	○	900	2286	○	○	1800	4572	○
475	1207	○	○	950	2413	○	○	1900	4826	○
500	1270	○	○	1000	2540	○	○	2000	5080	○
530	1346	○	○	1060	2692	○	○	2120	5385	○
560	1422	○	○	1120	2845	○	○	2240	5690	○
600	1524	○	○	1180	2997	○	○	2360	5994	○
630	1600	○	○	1250	3175	○	○	2500	6350	○
670	1702	○	○	1320	3353	○	○	2650	6731	○
710	1803	○	○	1400	3556	○	○	2800	7112	○
750	1905	○	○	1500	3810	○	○	3000	7620	○
800	2032	○	○	1600	4064	○	○	3150	8001	○
850	2159	○	○	1700	4318	○	○	3350	8509	○
900	2286	○	○	1800	4572	○	○	3550	9017	○
950	2413	○	○	1900	4826	○	○	3750	9525	○
1000	2540	○	○	2000	5080	○	○	4000	10160	○
1060	2692	○	○	2120	5385	○	○	4250	10795	○
1120	2845	○	○	2240	5690	○	○	4500	11430	○
1180	2997	○	○	2360	5994	○	○	4750	12065	○
1250	3175	○	○	2500	6350	○	○	5000	12700	○
1320	3353	○	○	2650	6731	○	○	5600	14224	○
1400	3556	○	○	2800	7112	○	○	6000	15240	○
				3000	7620	○				
				3150	8001	○				
				3350	8509	○				
				3550	9017	○				

All dimensions are nominal values.